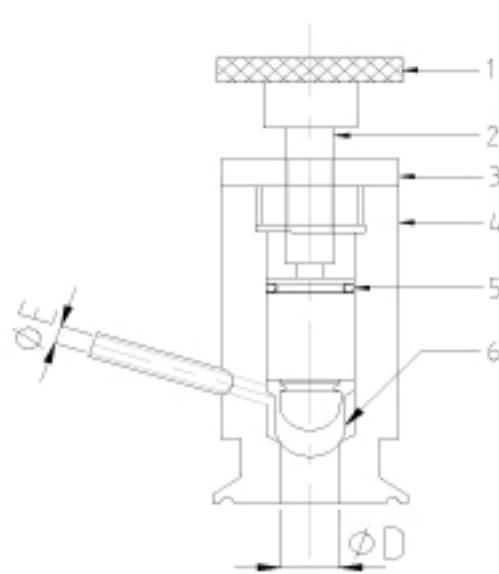
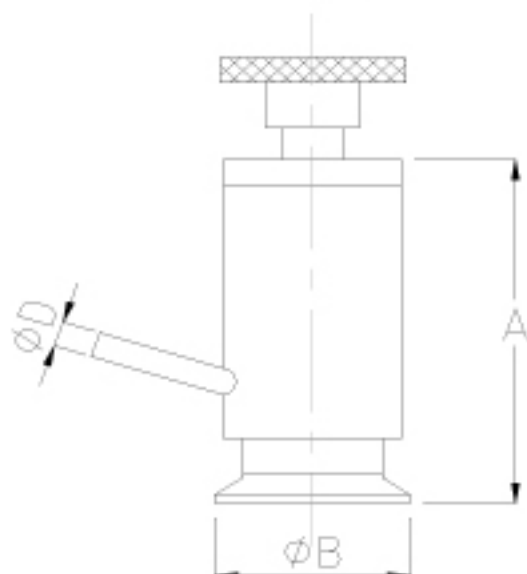


SAMPLING VALVE



COMPONENTS LIST

ITEM	PART NAME	MATERAIL	QUANTITY
1	HANDLE	304	1
2	STEM	316L	1
3	BODY COVER	316L	1
4	BODY	316L	1
5	O-RING	SILICONE	1
6	SEAT GASKET	SILICONE	1

SIZE	A		B		C		D		E	
	inch	mm	inch	mm	inch	mm	inch	mm	inch	mm
1/2"	2.323	59.0	0.992	25.2	0.394	10.0	0.370	9.4	0.236	6.0
1"	2.323	59.0	1.984	50.39	0.394	10.0	0.370	9.4	0.236	6.0